



te-sa
heating passion



ISO 9001 Cert. n. 2325

203TG-EN01

Manifold for sanitary fitting systems Serie 203TG – 203TGZ



Te-sa series 203TG and 203TGZ angled manifolds are specifically designed for use in sanitary fitting systems.

Individual interception valves on each outlet make it possible to shut off fittings thus facilitating plumbing system installation and maintenance work.

The interception valves are inclined 35° to assist installation, use and save space.

They are also provided with blue/red indicators with printed symbols identifying connected fittings.

Technical specifications Art. 203TG

Materials

| | |
|-----------------------|---------------------------|
| Manifold body: | Brass UNI EN 12165-CW617N |
| Surface finish: | Chrome plated |
| Insert valve: | Brass UNI EN 12164 CW614N |
| Obturator gasket: | EDPM |
| O-ring seal: | EDPM |
| Knob: | ABS |
| Room indicator disks: | Aluminium |

Operation

| | |
|-----------------------------|---------------|
| Usable fluids: | Water |
| Maximum operating pressure: | 5 Bar |
| Maximum temperature: | 80 °C |
| Main connections: | 3/4" - 1" |
| Branch connections: | 1/2"E - 3/4"E |
| Centre distance: | 38mm |

Technical specifications Art. 203TGZ *Anti-dezincification alloy ADZ*

Materials

| | |
|-----------------------|-------------------------|
| Manifold body: | ADZ UNI EN 12165-CW602N |
| Surface finish: | Raw brass |
| Insert valve: | ADZ UNI EN 12165-CW602N |
| Obturator gasket: | EDPM |
| O-ring seal: | EDPM |
| Knob: | ABS |
| Room indicator disks: | Aluminium |

Operation

| | |
|-----------------------------|---------------|
| Usable fluids: | Water |
| Maximum operating pressure: | 5 Bar |
| Maximum temperature: | 80 °C |
| Main connections: | 3/4" - 1" |
| Branch connections: | 1/2"E - 3/4"E |
| Centre distance: | 38mm |

PRODUCT RANGE:

Art. 203TG-054-.. 35° angled manifold, chromed brass, 3/4" MF, outlets 1/2"; 2, 3, 4-way

Art. 203TG-064-.. 35° angled manifold, chromed brass, 1" MF, outlets 1/2"; 2, 3, 4-way

Art. 203TG-065-.. 35° angled manifold, chromed brass, 1" MF, outlets 3/4"; 2, 3, 4-way

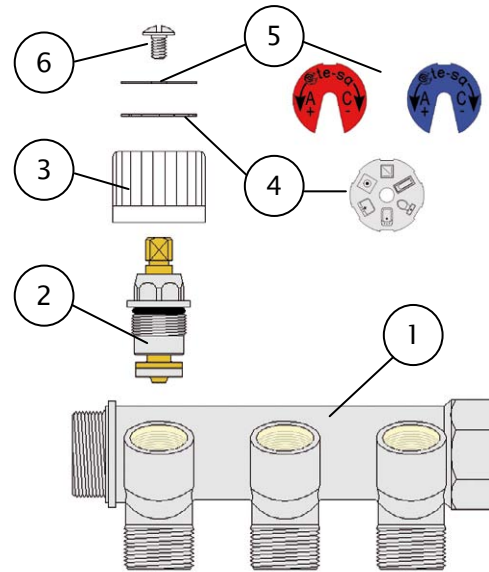
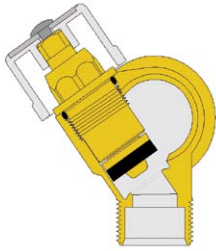
Art. 203TGZ-054-.. 35° angled manifold, ADZ alloy, 3/4" MF, outlets 1/2"; 2, 3, 4-way

Art. 203TGZ-064-.. 35° angled manifold, ADZ alloy, 1" MF, outlets 1/2"; 2, 3, 4-way

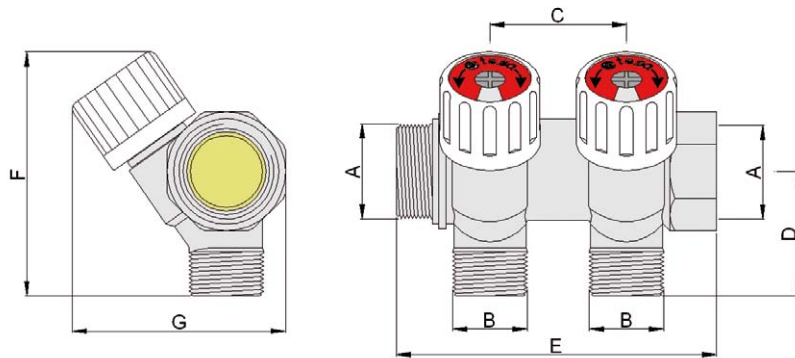
Art. 203TGZ-065-.. 35° angled manifold, ADZ alloy, 1" MF, outlets 3/4"; 2, 3, 4-way

Main components

- 1 Manifold body
- 2 Interception insert valve
- 3 Control knob
- 4 Room indicator disk
- 5 Blue/red double-face disk
- 6 Block screw



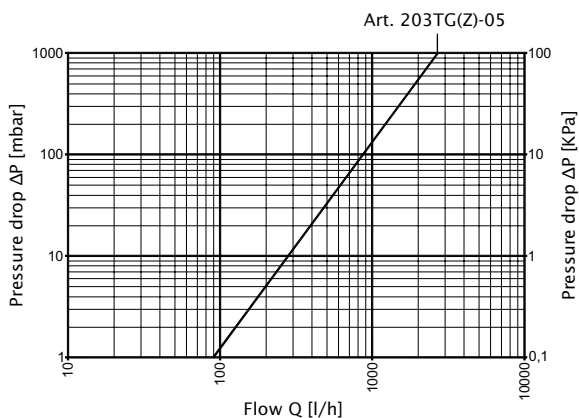
Dimensions



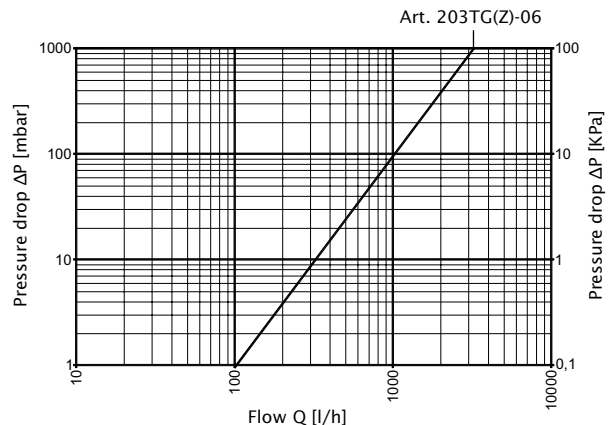
| Art. | A | B | C | D | E | F | G |
|-----------------|------|------|----|------|-----|----|----|
| 203TG(Z)-054-02 | 3/4" | 1/2" | 38 | 34,5 | 89 | 68 | 60 |
| 203TG(Z)-054-03 | 3/4" | 1/2" | 38 | 34,5 | 127 | 68 | 60 |
| 203TG(Z)-054-04 | 3/4" | 1/2" | 38 | 34,5 | 165 | 68 | 60 |
| 203TG(Z)-064-02 | 1" | 1/2" | 38 | 34,5 | 94 | 70 | 65 |
| 203TG(Z)-064-03 | 1" | 1/2" | 38 | 34,5 | 131 | 70 | 65 |
| 203TG(Z)-064-04 | 1" | 1/2" | 38 | 34,5 | 169 | 70 | 65 |
| 203TG(Z)-065-02 | 1" | 3/4" | 38 | 37 | 93 | 71 | 65 |
| 203TG(Z)-065-03 | 1" | 3/4" | 38 | 37 | 131 | 71 | 65 |
| 203TG(Z)-065-04 | 1" | 3/4" | 38 | 37 | 169 | 71 | 65 |

Hydraulic specifications

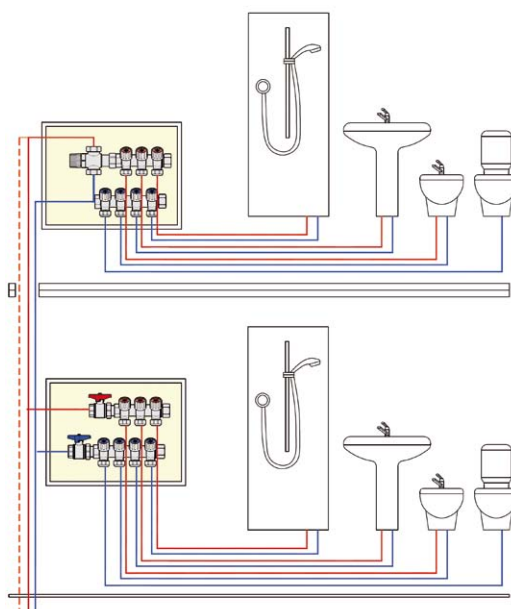
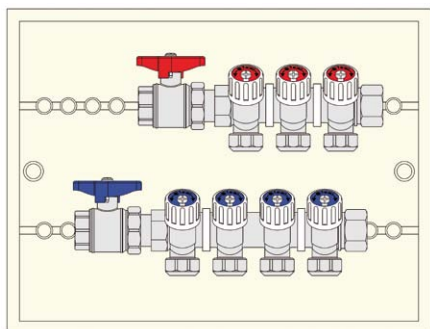
Art. 203TG-054... / 203TGZ-054... - Kv=2,7 m3h



Art. 203TG-06... / 203TGZ-06... - Kv=3,1 m3h



Examples of application



Accessories

Art. 209

Modular plastic enclosure



| Art. | Mis. |
|--------|---------|
| 209-01 | 24x32x8 |
| 209-02 | 24x40x8 |
| 209-03 | 24x50x8 |
| 209-04 | 24x60x8 |

Art. 209R

(Tech. data sheet 209R-EN)

Compact plastic enclosure



| Art. | Mis. |
|---------|----------|
| 209R-01 | 29x35x90 |
| 209R-02 | 29x43x90 |
| 209R-03 | 29x53x90 |
| 209R-04 | 29x63x90 |

Art. 221TGK

Kit Zinc-plated steel wall bracket for manifolds
Series 203TG



Art. 70

(Tech. data sheet 70-EN)

Thermostatic mixer for sanitary fitting systems



| Art. | Mis. |
|-------|------|
| 70-04 | 1/2" |
| 70-05 | 3/4" |
| 70-06 | 1" |



Art. 206

(Tech. data sheet 217-EN)

PEX pipe fitting for 1/2" connections



Art. 216

(Tech. data sheet 217-EN)

PEX pipe fitting for 3/4" Eurocone connections



Art. 218

(Tech. data sheet 217-EN)

Multilayer pipe fitting for 1/2" connections



Art. 217

(Tech. data sheet 217-EN)

Multilayer pipe fitting for 3/4" Eurocone connections



Art. 208

Copper pipe fitting for 1/2" and 3/4" Eurocone connections



Serie 800

(Tech. data sheet 800-EN)

te-sa press press-on fittings

Press-on fittings for multilayer pipe.
Usable with **TH, H and U profile** tongs.

Art. 159C

End plug 90° F-F



Art. 203TG Angled chromed brass manifold



35° angled manifold for sanitary fitting systems: Primary connections 3/4" or 1"; branch-offs 1/2" or 3/4"E; centre distance 38mm. Chromed brass body. Interception insert valves with control knob with open, closed, hot, cold indication and room symbols. Available in 2, 3 and 4 branch-off versions.

Art. 203TGZ Angled ADZ manifold



35° angled manifold for sanitary fitting systems: Primary connections 3/4" or 1"; branch-offs 1/2" or 3/4"E; centre distance 38mm. **CR** anti-dezincification body. Interception insert valves with control knob with open, closed, hot, cold indication and room symbols. Available in 2, 3 and 4 branch-off versions.

